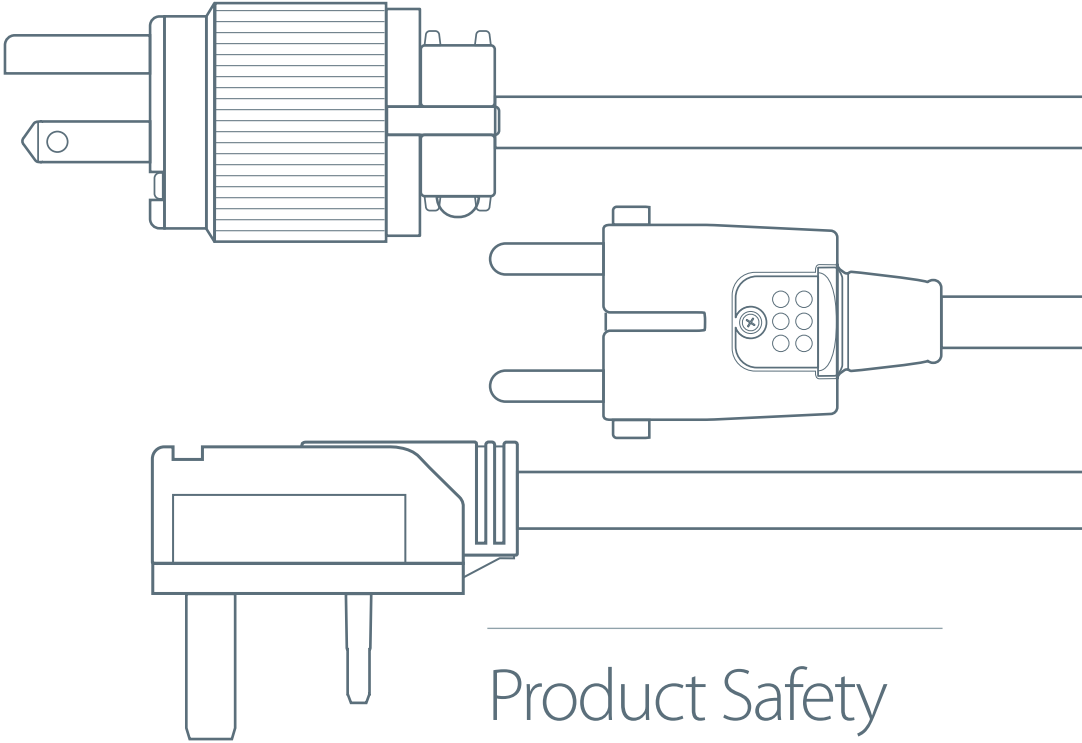


EOS^{em}

POWER CABLES



Product Safety
Information &
User Instructions.

ATLAS[®]
the performance connection



01] Safety Information

Read and keep these instructions.

Heed all warnings.

Follow all instructions.

Do not use this apparatus near water.

Clean only with dry cloth.

Do not block any ventilation openings.

Install in accordance with the manufacturer's instructions.

Do not install near any heat sources such as radiators, heat registers, stoves, or other apparatus that produce heat.

Do not defeat the safety purpose of the polarised or grounding type plug.

A grounding type plug has two blades and a third grounding connection .

The wide blade or the third prong is provided for your safety.

If the provided plug does not fit into your outlet, consult an electrician for replacement of the obsolete outlet.

Protect the power cord from being walked on or pinched particularly at plugs, convenience receptacles, and at the point where they exit from the apparatus.

Only use attachments/accessories specified by the manufacturer.

Unplug electrical apparatus during lightning storms or when unused for long periods of time.

Refer all servicing to qualified service personnel.

Servicing is required when the power-supply cord or plug has been damaged, liquid has been spilled, the apparatus has been exposed to rain or moisture, or does not operate normally.

POWER SOURCES

Connect the apparatus to a power supply only of the type described in the operating instructions or marked on the apparatus.

MAINS PLUG

Use the mains plug to disconnect the apparatus from the mains supply.

The mains plug must be accessible at all times.

Objects and liquid entry.

Do not expose the apparatus to contact with fluids.

Do not place a vessel containing liquid on top of the apparatus.

No naked flame sources, such as lighted candles, should be placed on the apparatus.

The apparatus has been designed for use in moderate and tropical climates.

Read and keep these instructions for your safety and protection.

02] Safety Instructions

CAUTION

- To reduce the risk of electric shock do not remove the plug cover.
- There are no user serviceable parts inside the products.
- Refer servicing to qualified service personnel.
- Replace the mains fuse in the plug with one of the same type and rating.
- Disconnect supply cord before changing fuse.

WARNING

To reduce the risk of fire or electric shock do not expose to moisture.



Shock hazard - do not open.

This appliance should be connected to a mains socket outlet with a protective earth connection.

Please contact your retailer or a competent electrician if you are in any doubt.

FUSE REPLACEMENT - 13A, UK

When appliance is fitted with a BS 1363 plug and BS 1362 approved fuse.

If the fuse has blown it can be replaced as follows:

- a) Remove the plug from the socket and remove the plug back cover by unscrewing the location screw(s).
- b) Remove the blown fuse from its carrier within the plug and dispose of.
- c) Fit a new 13 amp approved fuse (for products fitted with C13 or C15 IEC

plug). Fit a new 3 amp approved fuse (for product fitted with C7 IEC plug 'figure of eight' type) in the fuse holder and reattach the rear cover of the plug. Fuses are for fire protection and do not protect against electric shock.

MAINS PLUG REPLACEMENT

Should your mains plug need replacing and you are competent to do this proceed as follows.

If you are in doubt contact your local electrical retailer.

- a) Disconnect the plug from the mains supply.
- b) Cut off the plug and dispose of it safely.

A plug with bared conductors is dangerous if engaged in a live socket.

c) **UK plug type:** Only fit a 13 amp BS1363A approved plug with an approved BS 1362 fuse.

d) The cable wire colours or a letter will be marked at the connection points of most quality plugs.

e) Attach the wires securely to their respective points.

UK plug type: The Brown wire must go to the Live pin, the Blue wire must go to the Neutral pin, and the Green/Yellow wire must go to the Earth pin.

f) Before replacing the plug top ensure that the cable restraint is holding the outer sheath of the cable firmly and that the wires are correctly connected.

continued overleaf...



CE DECLARATION OF CONFORMITY

Atlas (Scotland) Ltd, Unit 5, Block 8,
Moorfield Industrial Estate, Kilmarnock,
Scotland declares under our sole responsibility that the named apparatus is in conformance with 2006/95/EC (Low Voltage Directive) as amended.

PRODUCT BRAND: Atlas

PRODUCT NAME(S): Eos 1.5em, Eos 2.5em,
Eos 4.0em & Eos Superior

PRODUCT TYPE: Power cord set.

The products are CE marked Dec. 2019.



WASTE ELECTRICAL AND ELECTRONIC EQUIPMENT (WEEE) DIRECTIVE

Waste Electrical and Electronic Equipment Directive Directive 2002/96/EC of the European Parliament and of the Council.

The product should not be disposed of with regular household waste, but should be disposed of separately.

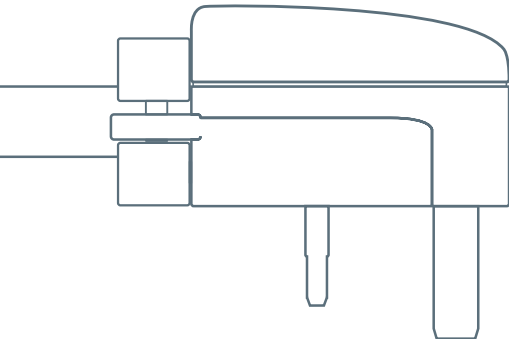
Electrical and electronic equipment can contain materials that are hazardous to the environment and human health and therefore should be disposed of at a designated waste facility or returned to your retailer for the appropriate recycling to take place (see www.atlascables.com for further information).

If you wish to dispose of this product and the product still functions, please consider recycling/reusing it by donating it to a charity shop, selling it or part-exchanging it with your retailer.

Re-use is the best form of recycling.

Atlas Cables

Unit 5, Block 8,
Moorfield Industrial Estate,
Troon Road, Kilmarnock,
Ayrshire, Scotland KA2 0BA
+44 (0)1563 572666



ATLAS[®]
the performance connection
atlascables.com

Version 3, June 2024